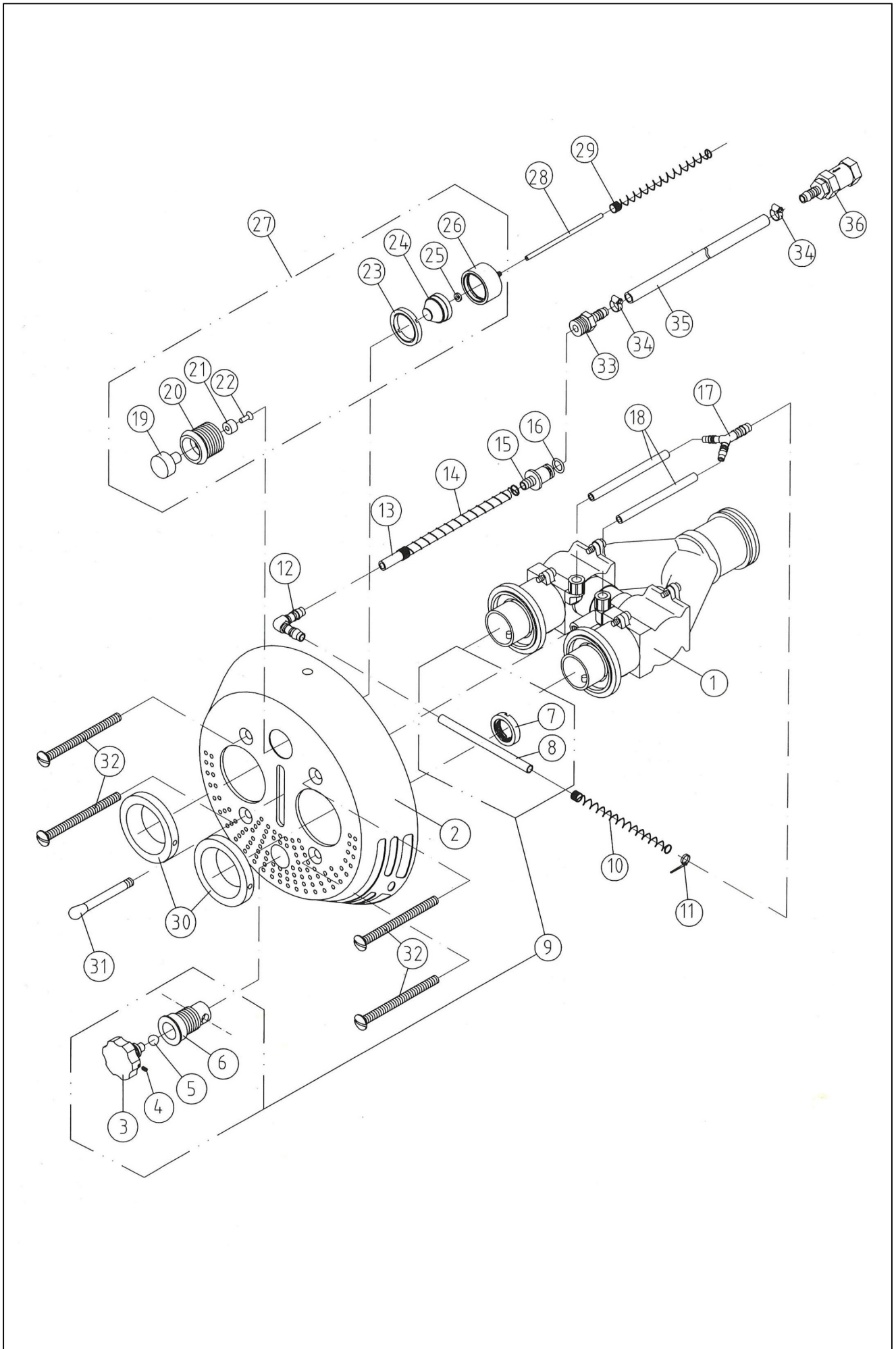


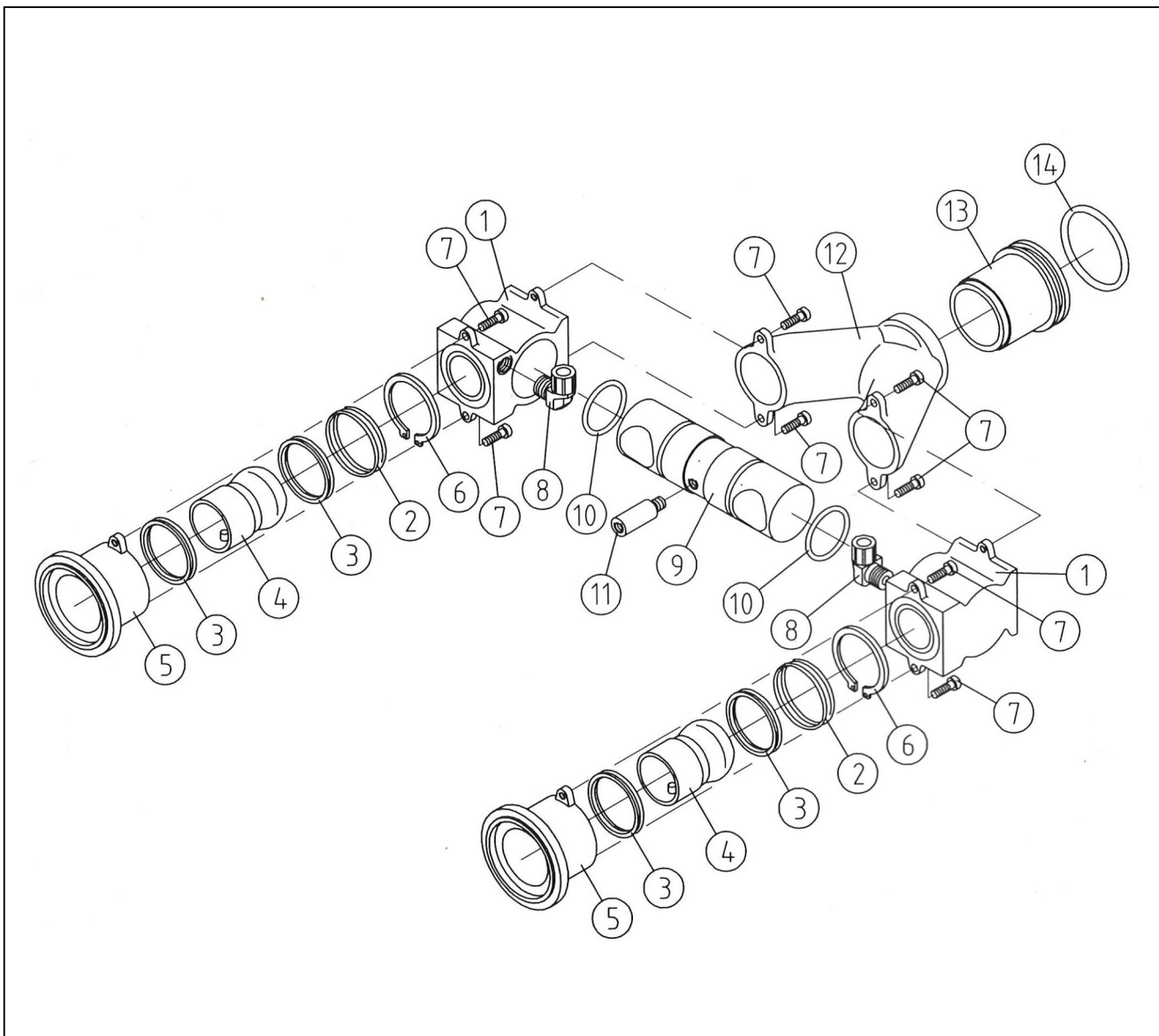
Taifun DUO



## Taifun DUO

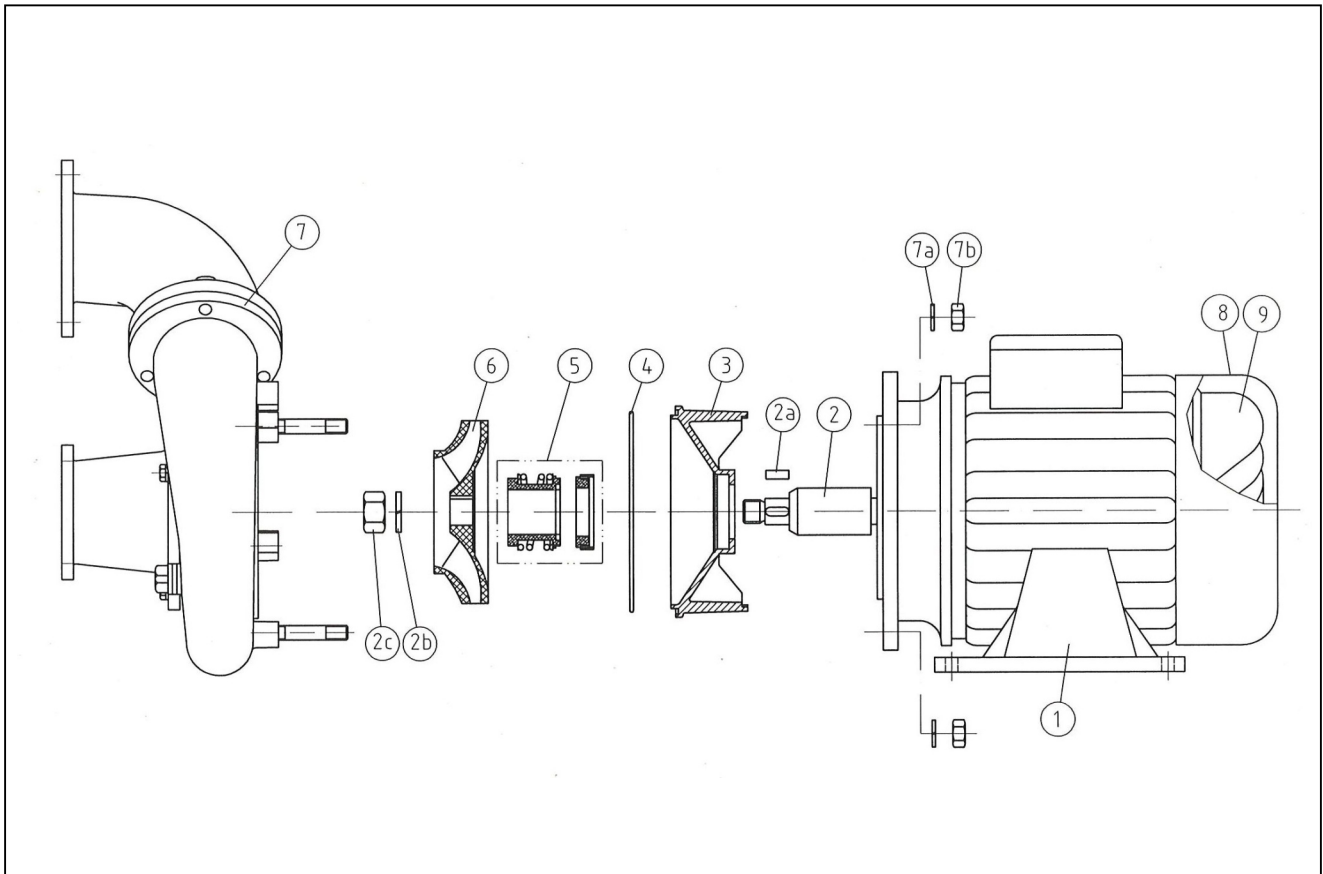
<i>detail</i>	<i>identifikace</i>	<i>popis</i>
1	HL7309750	X <i>Armature body</i>
2	HL500128	X <i>Armature hood</i>
3	HL7661320171	X <i>Air automatic controller upper part</i>
4	HL505332	X <i>Headless pin</i>
5	HL519161	X <i>Ball</i>
6	HL7662300141	X <i>Air automatic controller lower part</i>
7	HL7663350141	X <i>Nut for air automatic controller</i>
8	HL510570	X <i>Hose</i>
9	HL7304320	X <i>Air controller</i>
10	HL500451	X <i>Protection springs</i>
11	HL530200	X <i>Cable strap</i>
12	HL510195	X <i>Angle-hose connector</i>
13	HL510514	X <i>Hose</i>
14	HL500452	X <i>Protection spiral</i>
15	HL7309450141	X <i>Nozzle</i>
16	HL514050	X <i>O-Ring</i>
17	HL510196	X <i>Reducer</i>
18	HL510513	X <i>Hose</i>
19	HL7309520171	X <i>PN-Switch button</i>
20	HL7309620171	X <i>PN-Switch upper section</i>
21	HL7309550141	X <i>PN-Switch button</i>
22	HL505257	X <i>Countersunk screw</i>
23	HL7309650141	X <i>Lock nut</i>
24	HL511151	X <i>Air bellow</i>
25	HL514001	X <i>O-Ring</i>
26	HL7309750141	X <i>PN-Switch lower part</i>
27	HL7307320	X <i>PN-Switch</i>
28	HL510512	X <i>PN-Hose</i>
29	HL500450	X <i>Protection springs</i>
30	HL7309550171	X <i>Locking collar</i>
31	HL500801	X <i>Adjusting lever</i>
32	HL505271	X <i>Raised head countersunk screw</i>
33	HL510315	X <i>Nozzle</i>
34	HL500520	X <i>Hose clip</i>
35	HL510514	X <i>Air hose</i>
36	HL7309150	X <i>Nonreturn-valve with nozzle</i>

## Taifun Duo Armatura



detail	identifikace	popis
1	HL7309750101	X Housing with injektor
2	HL500408	X Compression spring
3	HL510304	X Bearing ring
4	HL7303120	X Irradiating nozzle with pin
5	HL7309850101	X Nozzle holder
6	HL500901	X Safety ring
7	HL505183	X Cylinder screw
8	HL510193	X Screwed angle fitting
9	HL7309050191	X Rack and pinion axle
10	HL575137	X O-ring
11	HL7309950141	X Extension
12	HL7309550101	X Distributor
13	HL7309650191	X Connection extension
14	HL514066	X O-ring

# Taifun Duo Pump 2,6kW



detail	identifikace	popis
1	HL7753250	X Engine with putting wava
2	HL7753460	X Puttig wave
2a	HL500490	X Feather
2b	HL506404	X Serrated lock washer
2c	HL506008	X Hexagon nut
3	HL7751350101	X Bearing plate
4	HL514045	X O-Ring
5	HL562501	X Pump seal
6	HL510319	X Impeller
7	HL7621150	X Pump housing
7a	HL506501	X Lock washer
7b	HL506000	X Hexagon nut
8	HL512408	X Exhaust hood
9	HL512407	X Exhaust wheel