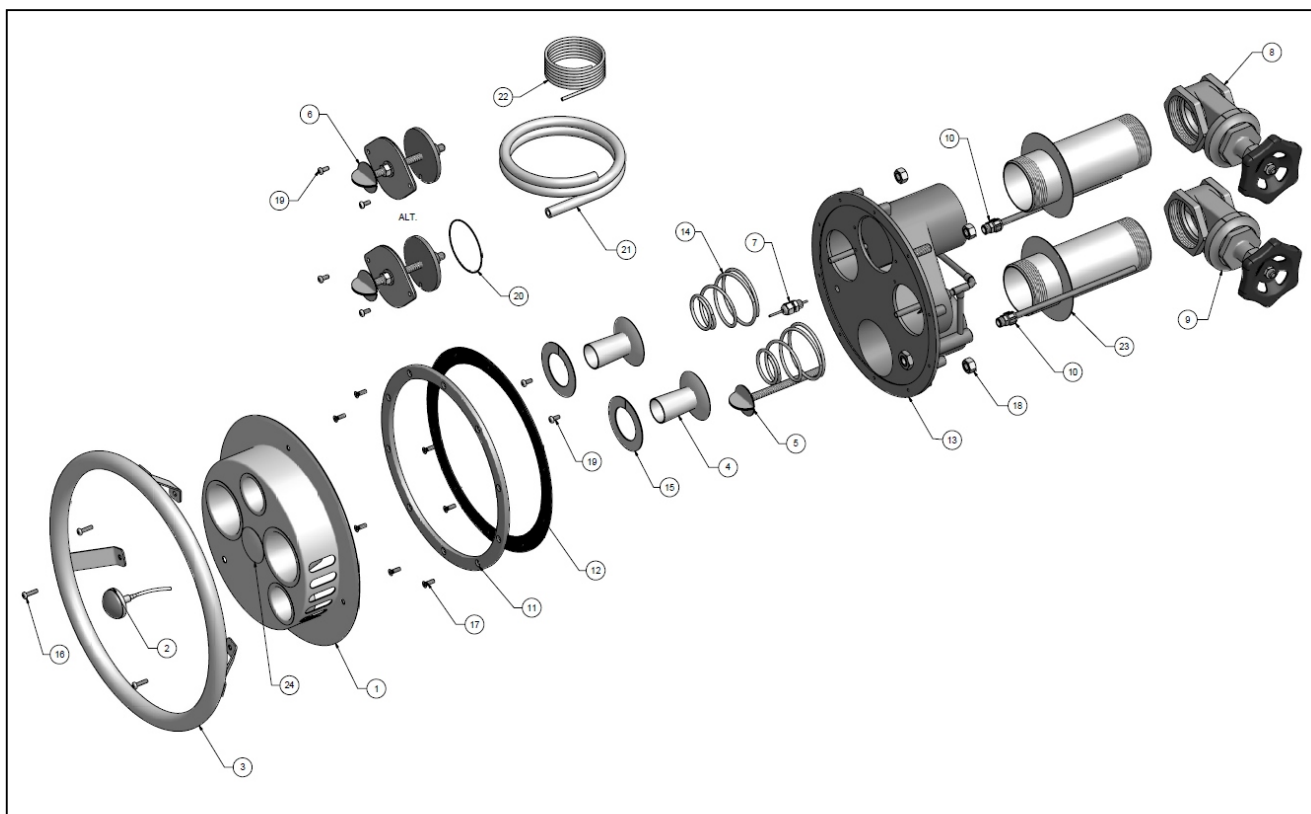


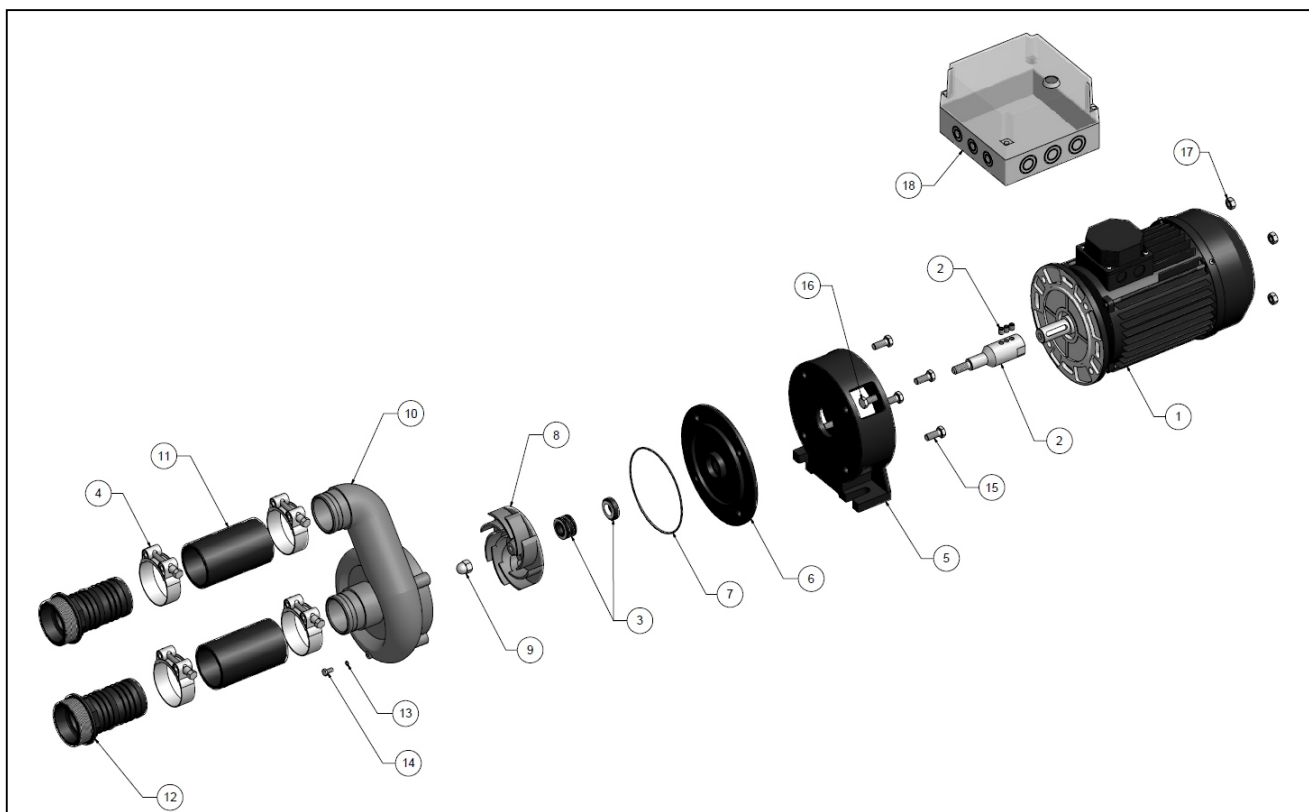
Swim Jet 2000



detail	identifikace	popis
1	PN636020	X Front plate
2	PN636000	X Start button
3+16	PN636021	X Front ring + Screw
4	PN122401	X Nozzle
5	PN122415	X Air flow control assembly
6	PN122412	X Water flow control assenbly
7	PN636022	Plug 1/4" 2,5mm pipe
8	PN636024	X Gate valve 2 1/2" ,brass
9	PN636024	X Gate valve 2 1/2" ,divided, brass
10	PN636019	1pc. Hose connection air injection 1pc. Protective pipe start hose
11+12+17	PN636014	X Clamping ring+Gasket300mm+Screw M5x12
12+11+17	PN636014	X Clamping ring+Gasket300mm+Screw M5x12
13	PN13001006	X Jet Swim housing
14	PN122403	X Spring for nozzle
15	PN122402	X Locking washer
16	PN19909330	X Screw MRX A4 M5x20
17	PN19911220	Screw MRX A4 M5x16
18	PN19930040	X Nut M12 (M10 nut before 2001)
19	PN19909315	X Screw MRX A4 M5x12

detail	identifikace	popis
20	PN19970783	X O-ring (before June 2002)
21	PN636017	X Hose for air injection, L=0,8m
22	PN636018	X Hose for start, L=15
23	PN122425	X Non leak flange SS 2 1/2" ,conn.
24	PN122426	X Name plate

Swim Jet 2000 pump



detail	identifikace	popis
1	PN631269	X Motor 4,0kW 3-phase (AEG)
2.1	PN636001	X Shaft + Socket set screw for shaft
2.2	PN636001	X Shaft + Socket set screw for shaft
3	PN631001	X Shaft seal type CD201
4+11	PN636007	X Hose clamp 2 1/2" + pressure hose 2 1/2"
5	PN636003	X Intermedia plate
6+7+3	PN636004	X Plate for seal + O-ring + Shaft seal
7+3	PN631000	X O-ring + Shaft seal
8+9	PN636011	X Impeller Jet 4,0kW+ Domed nut M12
9+8	PN636011	X Impeller Jet 4,0kW+ Domed nut M12
10	PN51230	X Pump housing P85
11+4	PN636007	X Pressure hose 2 1/2"
12	PN636012	X Hose connection 2 1/2" male
13+14	PN636006	X Gasket + Screw M6S A4 M4 M6x10
14+13	PN636006	X Gasket + Screw M6S A4 M4 M6x10
15+16+17	PN636002	X Screw M6S A4 M10x25+M10x30+NutM10
16+15+17	PN636002	X Screw M6S A4 M10x25+M10x30+NutM10
17+16+15	PN636002	X Screw M6S A4 M10x25+M10x30+NutM10
18	PN636010	X Pressure switch