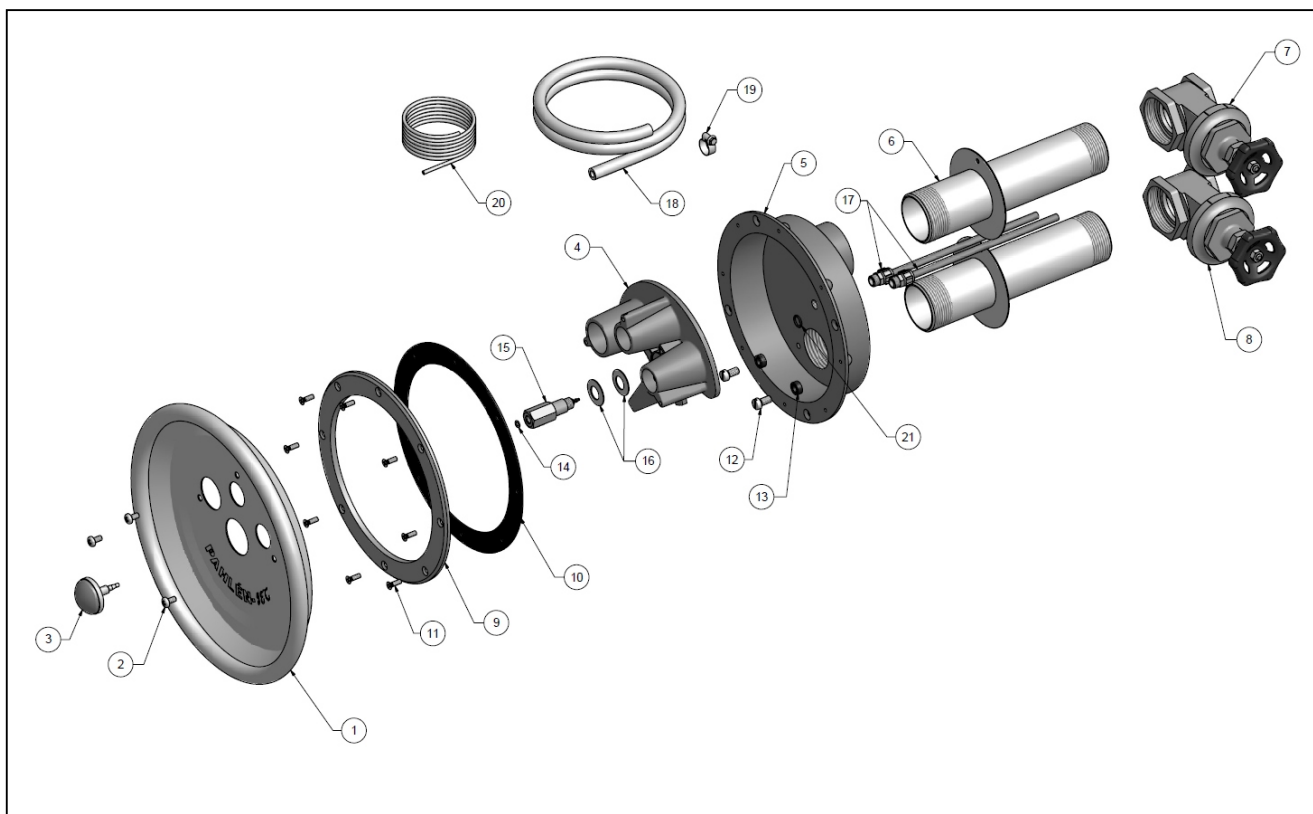


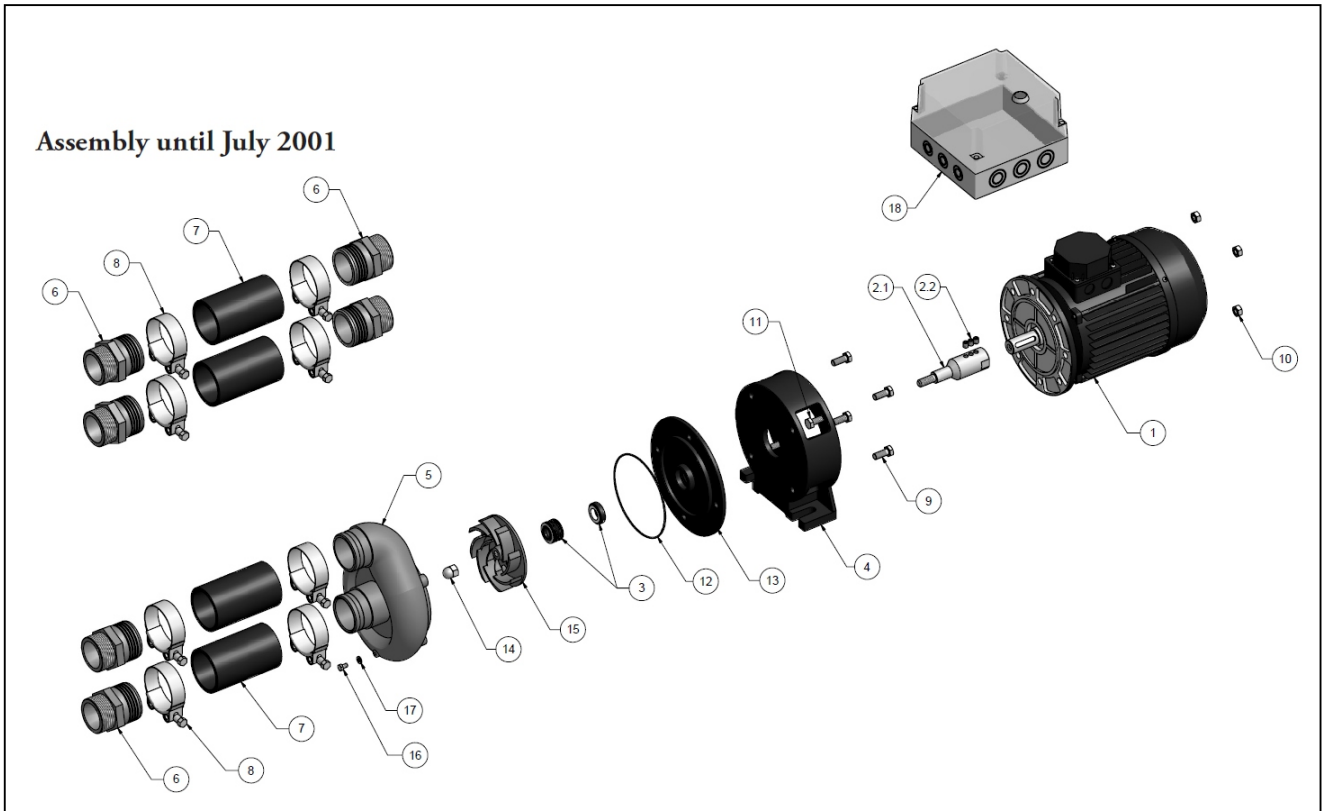
Swim Jet 1200



detail	identifikace	popis
1+2	PN636009	X Front plate + screw M6x12
2	PN19909410	X Screw MRX A4 M6x12
3+14	PN636000	X Start button+ o-ring 1.10x1.60mm
4	PN121602	X Turning insert
5	PN13005002	X Jet Swim housing
6	PN121952	X Non leak flange SS, 2" connection
7	PN636023	X Gate valve 2", brass
8	PN636023	X Gate valve 2" divided, brass
9+10+11	PN636013	X Clamping ring+Rubber gasket+Screw Mx12
10+9+11	PN636013	X Clamping ring+Rubber gasket+Screw Mx12
11+9+10	PN636013	X Clamping ring+Rubber gasket+Screw Mx12
12	PN19917615	X Screw MCS A4 M8x16
13	PN121925	X Bushing nylon
14+15+16+21	PN636016	X O-ring 4,10x4,60+Connectpin+Elastic
15+14+16+21	PN636016	X O-ring 4,10x4,60+Connectpin+Elastic
16+15+14+21	PN636016	X O-ring 4,10x4,60+Connectpin+Elastic
17	PN636019	X 1 pc. Hose connection air injection 1 pc. Protective pipe start hose
18+19	PN636017	X Hose 8x12mm+ hoseclamp 8-14mm
19+18	PN636017	X Hose 8x12mm+ hoseclamp 8-14mm

detail	identifikace	popis
20	PN636018	X Hose for start 2x4mm,L=1,5m
21+15+16+14	PN636016	X O-ring 4,10x4,60+Connectpin+Elastic

Swim Jet 1200 pump



Assembly until July 2001

detail	identifikace	popis
1	PN631266	X Motor 2,2kW 3-phase (AEG)
2.1	PN636001	X Shaft+Socket set screw for shaft A4 8x10
2.2	PN636001	X Shaft+Socket set screw for shaft A4 8x10
3+12+13	PN636004	X Shaft seal+o-ring+plate for seal
4	PN51144	X Intermediate plate aluminium
5	PN51234	X Pump housing Jet -96
6	PN636008	X Hose connection plastic 2"x63
7+8	PN636007	X Pressure/suction + Hose clamp 2 1/2"
8+7	PN636007	X Pressure/suction + Hose clamp 2 1/2"
9	PN19901525	X Screw M6S A4 M10x25
10	PN19930035	X Nut M6M A4 M10
11	PN19901530	X Screw M6S A4 M10x30
12+13+3	PN636004	X Shaft seal+o-ring+plate for seal
13+12+3	PN636004	X haft seal+o-ring+plate for seal
14+15	PN636005	X Domed nut M12 + Impeller Jet 2,2kW
15+14	PN636005	Domed nut M12 + Impeller Jet 2,2kW
16+17	PN636006	X Screw M6S A4 M6x10+Gasket drain plug
17+16	PN636006	X Screw M6S A4 M6x10+Gasket drain plug
18	PN636010	X Pressure switch